

WG Series

CBS-4 / CBS-4 C

Earth leakage monitoring and signaling unit of the external transformer of the WG / WGC Series



Description

- Unit equivalent to 4 earth leakage protection networks. 4 independent programmable relays available
- Four inputs to connect the external toroidal transformers of the **WG**
- Superimmunized Type A relay with high frequency current filtering and high immunity. Monitoring in true root mean square (TRMS)
- Reduced size, with 3 modules
- 5 independent programmable outputs (4 earth leakage trip relays and 1 pre-alarm trip).

Application

The **CBS-4** earth leakage unit associated to the transformers of the **WG / WGC** Series allows a smart earth leakage protection. Its design features guarantee maximum security and continuity of the electrical service, avoiding unwanted tripping.

Showing the value of the leak instantaneously on the display with the pre-alarm indications provides the information about the state of lines being protected, thus allowing the implementation of an adequate preventive maintenance approach.

In addition, version **CBS-4 C** with RS-485 communications is used with the PowerStudio *software*, which allows the centralised supervision of the system in real time, with a record log that can be analysed later on.

Features

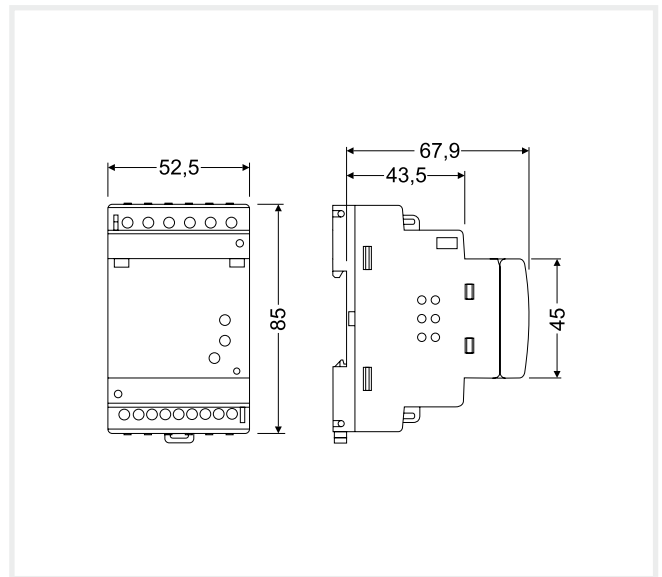
| | |
|---|---|
| Protection | |
| No. of protections | 4 |
| Class | A superimmunized |
| Measurement | True root mean square (TRMS) |
| Sensitivity | 0.03 A ... 30 A |
| Delay | Time defined: 0,02 ... 10 s Inverse curve: instantaneous or selective |
| Earth leakage transformer | External, TRANSFORMERS WG/WGP |
| Test and Reset | With built-in buttons, T & R |
| Associated circuit breaker | Contact or Circuit breaker + trigger coil |
| LED indicator | <ul style="list-style-type: none"> • Power supply voltage • Leakage trip • Pre-alarm • Interlocked earth leakage self-reclosing |
| Display View | <ul style="list-style-type: none"> • Current trip (red display when triggered) • Instantaneous leak level indicator in each channel • Parameter programming • State of the self-reclosing- Disconnected external trans. indicator- Automatic self-reclosing enabled |
| Features | |
| Auxiliary power supply | 230 Vac (± 20 %) 50 ... 60 Hz |
| Output contacts | 250 Vac, 5 A |
| Operating temperature | -10 ... +50 °C |
| Construction features | |
| Fixing | DIN Rail 46277 (EN 50022) |
| Dimensions | 3 modules |
| Weight | 236 g |
| Degree of protection | IP 20 Terminals, IP 41 back panel |
| Standards | |
| IEC 664, VDE 0110, IEC 801, UL 94, IEC 348, IEC 571-1, EN 61000-6-3, 61000-6-1, 61010-1 | |

WG Series

CBS-4 / CBS-4 C

Earth leakage monitoring and signaling unit of the external transformer of the WG / WGC Series

Dimensions



References

| Size | Communications | No. of Relays | I_n (A) | Type | Code |
|-----------|----------------|---------------|---------------|----------------|---------------|
| 3 modules | - | 4 | 0.03 ... 30 s | CBS-4 | P12711 |
| 3 modules | RS-485 | 4 | 0.03 ... 30 s | CBS-4 C | P12712 |

Connections

