

WGC

Earth leakage transformers



Description

This new range features a series of improvements intended in particular for installing units on switchboards. Along with the usual attachment elements, this unit can be installed on DIN rails using an accessory, which facilitates its installation.

The earth leakage transformers of the **WGC** series offer better immunity to the transient current spikes that usually trigger the earth leakage protection. The earth leakage transformers of the **WGC** series have been designed to operate with the relays of the **WGC** series. The sensitivity (trip current) of the transformer-relay assembly is established by the associated relay.

Technical features

Electrical insulation	Safety	IEC 60664-1 / IEC 60664-3
	Maximum assigned service voltage	720 V
	Assigned impulse voltage / pollution	3 kV / III
Measurement circuit	Assigned transformation ratio, Kn	30 / 0.06 A
	Measurement accuracy	10%...15%
	Direct thermal current	60 A
	Thermal short-circuit current, I_{th}	1.8 kA / 1 sec
	Dynamic current, I_{dyn}	2.5 I_{th}
Operating conditions	Type	Optoisolated voltage-free
	Max. activation current	50 mA
	Insulation	1,500 V
Mechanical features	Terminal protection	IP 20 (IEC 60529)
	Screw-in fasteners	M-5
	DIN rail (with accessory)	See code
	Housing material / colour	Lexan 923 / RAL 7035
	Self-extinguishing class	UL94 V0
	Product standards	IEC 60044-1
Connection	Two wire (S1-S2) connection type	Screw-in terminal (pzl screw)
	Dimensions of rigid/flexible conductors	0.1...2.5 mm ² / 27...12 AWG
	Cabling with wire section ≥ 1 mm ²	0...1 m
Connection to protection and measurement devices (RCD, RCM)	Cabling with braided and shielded wire section ≥ 1 mm ²	0...10 m

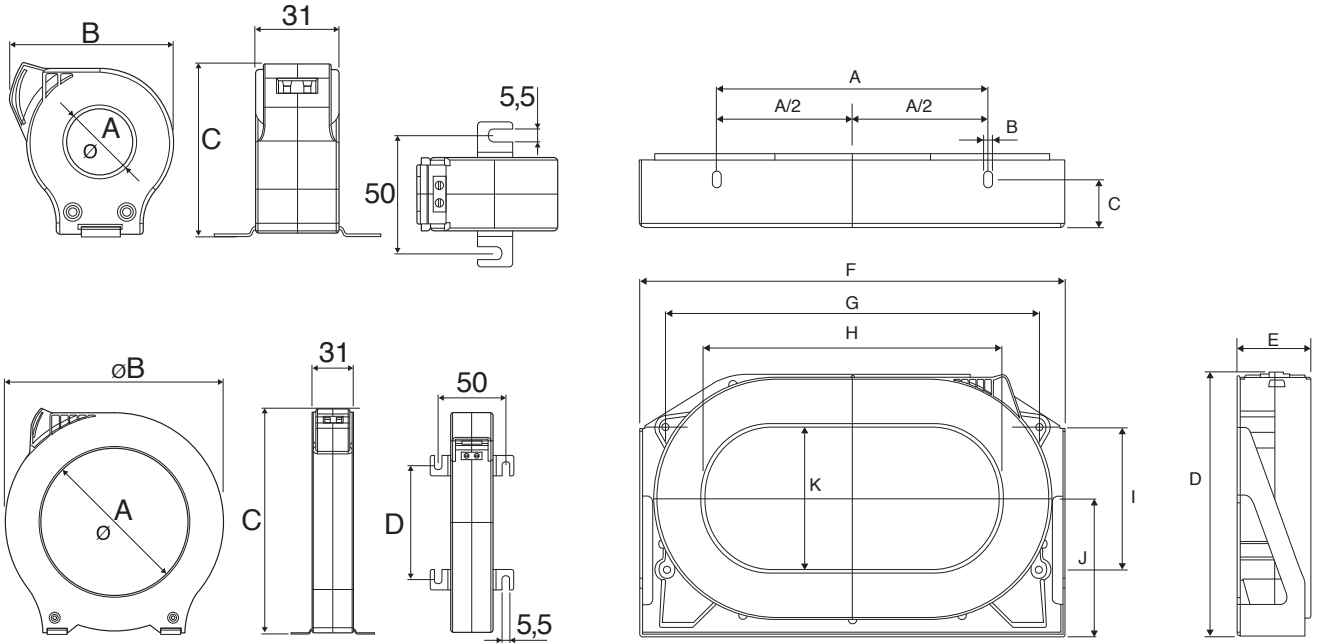
References

Net section (mm)	Weight (g)	I_n (A)	Type	Code
25 Ø	80	s / relay	WGC 25	P10151
35 Ø	120	s / relay	WGC 35	P10152
55 Ø	160	s / relay	WGC 55	P10153
80 Ø	300	s / relay	WGC 80	P10154
110 Ø	420	s / relay	WGC 110	P10155
140 Ø	760	s / relay	WGC 140	P10156
180 Ø	1480	s / relay	WGC 180	P10157
220 x 105	3740	s / relay	WGC-220x105	P10158
350 x 150	7800	s / relay	WGC-350x150	P10159
500 x 200	11300	s / relay	WGC-500x200	P10160
Accessory for assembly on DIN rail	-	-	PA-TC/WG	P19921

WGC

Earth leakage transformers

Dimensions



Type	A	B	C	D
WGC 25	25	60,5	64	
WGC 35	35	70,5	75,5	
WGC 55	55	92	98	38
WGC 80	80	124,5	130	60
WGC 110	110	163	168	84,5
WGC 140	140	201	206	110
WGC 180	180			

Type	WGC-220x105	WGC-350x150	WGC-500x200
A	200	340	460
B	7	7	7
C	35	30	40
D	50,2	54,2	306
E	279	195	64
F	314	479	614
G	275	430	550
H	220	350	500
I	105	165	180
J	102	143	155
K	105	150	200