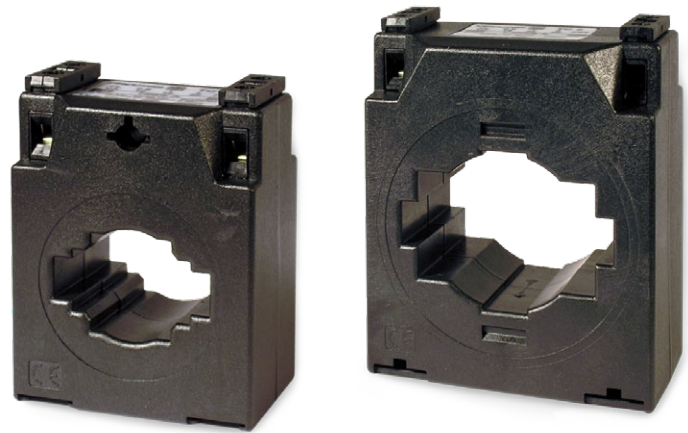


Current transformers

TC series

Narrow-profile current transformer



Description

- Type: bar entrance
- Types: from 40 to 4000 A
- Internal diameter: from 20.3 to 63 mm, depending on the type
- Busbar dimensions: from 25 x 5 mm to 30 x 100 mm
- Transformer certificate sheet is attached
- DIN rail fixing accessory (Types **TC5** and **TC6**)
- Secondary coding types .../5 A (on demand .../1 A. TC12 not available)

Application

Converting a high nominal current to a lower current so that it can be measured by the unit.

In installations where the electrical supply can be interrupted to install transformers.

Features

Frequency	50 / 60 Hz
Isolation voltage	3 kV ac
Thermal short-circuit current, I_{th}	$60 I_n$
Dynamic current, I_{dyn}	$2.5 I_{th}$
Highest current in the material	0.72 kV ac
Thermal class	B (130 °C)
Working temperature	-5 ... 40 °C
Type of encapsulation	VO self-extinguishing plastic
Safety factor	F_s 5
Secondary sealable terminals	Yes
Secondary terminals	IP 20
Fixing on DIN rail	TC5 and TC6
Standards	
IEC 44-1, BS2627	

Current transformers
TC series

Narrow-profile current transformer


References

Type	TC 4				TC 5				TC 5,2				TC 6,2				TC 6				
Busbar (mm)	30 x 10 20 x 10 25 x 5				25 x 5				20 x 12 25 x 10 30 x 10				30 x 10				40 x 10				
A	V-A	Class			Code	Class			Code	Class			Code	Class			Code	Class			Code
		0,5	1	3		0,5	1	3		0,5	1	3		0,5	1	3		0,5	1	3	
40/5					-	-	1,5	M70311													
50/5	-	-	1	M703D5	-	-	3	M70312													
60/5	-	-	1,25	M703D6	-	1,25	3,5	M70313													
75/5	-	-	1,25	M703D7	-	2	3,5	M70314													
100/5	-	2	3	M703D8	1,5	2,5	3,75	M70315	-	1	1,5	M70321	1,75	3,75	7,5	M70341					
125/5	-	2,5	2,75	M703D9	1,75	3,5	5	M70316	-	1,5	2	M70322	3,75	7,5	10	M70342					
150/5	1,5	2,5	4	M703DA	2,5	3,5	5	M70317	1	2	2,5	M70323	5	7,5	10	M70343	1	5	7,5	M70331	
200/5	2,5	5	6	M703DB	3,75	5	5	M70318	2,5	3	3,5	M70324	7,5	10	10	M70344	3,5	5	7,5	M70332	
250/5					5	7,5	7,5	M70319	3,5	3,75	5	M70325	7,5	10	15	M70345	5	7,5	10	M70333	
300/5									3,5	3,75	5	M70326	10	10	15	M70346	5	7,5	10	M70334	
400/5									3,5	5	7,5	M70327	10	10	15	M70347	5	7,5	10	M70335	
500/5									5	7,5	10	M70328	15	15	20	M70348	7,5	10	15	M70336	
600/5									5	7,5	10	M70329	15	20	25	M70349	7,5	10	15	M70337	
750/5																	10	15	20	M70338	
800/5																	10	15	20	M70339	

Type	TC 8				TC 8.3				TC 10				TC 12							
Busbar (mm)	60 x 12				40 x 10				50 x 50 60 x 30 80 x 30				3 x 100 x 10							
A	V-A	Class			Code	Class			Code	Class			Code	Class			Code			
		0,5	1	3		0,5	1	3		0,5	1	3		0,5	1	3				
100/5						5	5	5	M703BA											
150/5						5	7,5	10	M703BC											
200/5	1	2,5	5	M7036C	15	20	25	M703B2	1	2,5	5	M7037F								
250/5						10	15	20	M703B1											
300/5	2,5	5	7,5	M7036B	15	20	25	M703B3	2,5	5	7,5	M7037D								
400/5	5	7,5	10	M70361	15	20	25	M703B4												
500/5	7,5	10	15	M70362	15	20	25	M703B5	5	7,5	10	M7037B								
600/5	10	15	20	M70363	15	20	25	M703B6	7,5	10	15	M7037C								
750/5	15	20	25	M70364	20	25	30	M703B7												
800/5	15	20	30	M70365	25	30	35	M703B8	7,5	10	15	M70372	10	15	20	M7038B				
1 000/5	15	20	30	M70366	25	30	35	M703B9	10	15	20	M70373	10	15	20	M70381				
1 200/5	15	20	30	M70367					10	15	20	M70374	10	15	20	M70382				
1 250/5				M7036A					10	15	20	M7037E	10	15	20	M7038D				
1 500/5	15	20	30	M70368					15	20	25	M70375	15	20	30	M70383				
1 600/5	15	20	30	M70369					15	20	25	M70376	15	20	30	M70384				
2 000/5									15	20	25	M70377	15	20	30	M70385				
2 500/5									15	20	30	M70378	20	30	40	M70386				
3 000/5									15	20	30	M70379	30	40	60	M70387				
3 200/5																	30	40	60	M7038C
4 000/5																	35	40	60	M70388

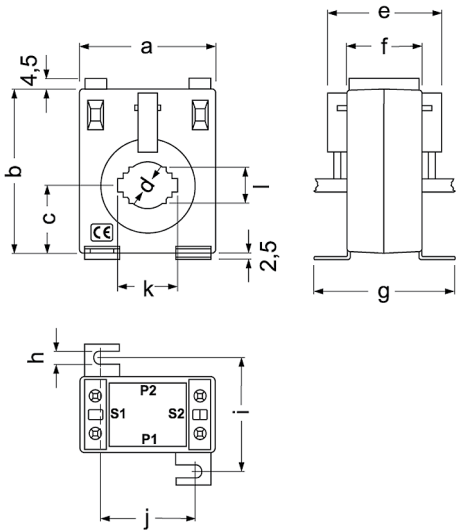
Current transformers

TC series

Narrow-profile current transformer



Dimensions



dimensions (mm)	TC 4	TC 5 TCH 5	TC 5.2 TCH 5.2	TC 6.2 TCH 6.2	TC 6 TCH 6	TC 8 TCH 8	TC 10 TCH 10
a	50	58	58	64	64	84,5	108
b	70	70	70	80,5	80,5	102	130
c	29	29	29	34	34	46	61
d	21	20,3	22	26	28,5	44	63
e	43,5	45	45	60,5	66,5	69	---
f	30	32	32	44	44	50	50
g	56	59	59	71	71,2	78	78
h	5,5	5,6	5,6	5,6	5,6	6,6	6,6
i	45,5	48	48	60	60	64	64
j	31,6	39	39	46	46	62	86
k	30,5	25,6	30,6	20,6	40,6	60,6	80,6
l	30,5	15,6	15,6	30,6	25,2	30,6	50,8

TC 12 series

